

HIGH-END AUDIOPHILE SPEAKER

STEEL

MASTER STROKE - HAND CRAFTED

Italy

SS-652C

SS-26

SS-65

DESIGNED BY GTRADING IN ITALY

MASTER STROKE SS-65

AUDIOPHILE SERIES, ULTRA HIGH END, HAND MADE IN ITALY

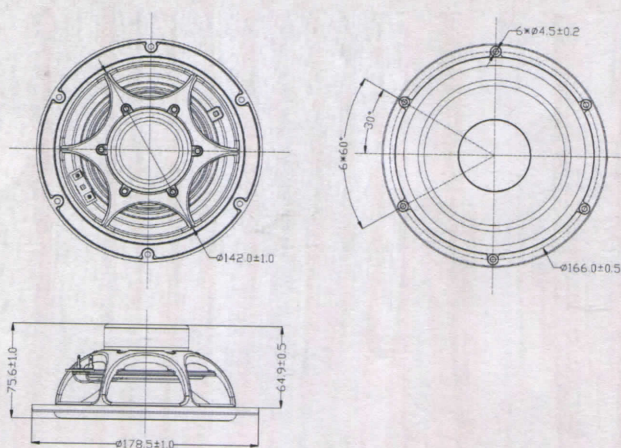
STEG

Specification

Speaker Size		6.5 inch
Impedance	Z	4Ω
DC resistance	Re	3.8Ω
Voice coil dimension	∅	55.8mm
Voice coil inductance	Le	1.08mH
Voice coil former/VCF		TILSV
Membrane material		TIL
Magnet system	MS	Neodymium, Ferrite
Net weight	Lb	0.66kg
Transducer's suspension Qms	Qms	5.62
Transducer's suspension Qts	Qts	0.36
Motor strength	Bl	10.4
Centering device	Cd	N-20
Suspension cone	Sc	65sh rubber
Resonance frequency	Fs	40Hz
Frequency response	Fr	40Hz-1KHz
Efficiency 1 W / 1 m	SPL	84dB
Power rating/Hi-pass 1500hz	RMS max.	60W

Dimensions

All dimensions noted in mm



Recommended Frequency Cut: high pass up to 1 kHz
The cuts and slopes refer to these data according to the applied power and the position of the speaker, so we can not set a reliable standard.

Radiation mass load	Mms	39.8g
Force exerted suspension	Cms	0.33mN
Volume air compressed	Vas	9.7l
Surface area cone	Sd	143cm ²
Maximum Linear Excursion	Xmax	4.2mm

I prodotti STEG (www.gt-trading.it) sono costruiti e distribuiti da G.T. Trading di Siliato Salvatore, Via Guazzi N°5/C - Tavernelle di Serrungarina 61035 (PU), tel. +39 0721 715289, fax +39 0721 715289, Web www.gt-trading.it email : info@gt-trading.it

GT Trading

MASTER STROKE SS-26

AUDIOPHILE SERIES, ULTRA HIGH END, HAND MADE IN ITALY

STEG

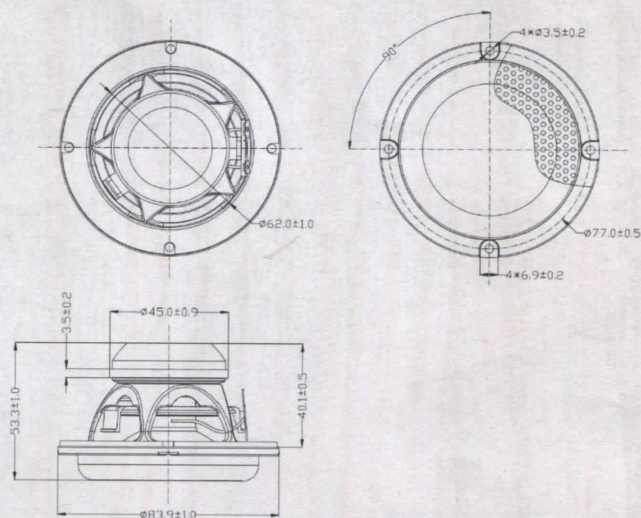
Italy

Specification

Speaker Size		2.6inch
Impedance	Z	4Ω
DC resistance	Re	3.5Ω
Voice coil dimension	Ø	20.4mm
Voice coil inductance	Le	0.15mH
Voice coil former/VCF		KSV
Membrane material		Kapton
Magnet system	Ms	Neodymium
Net weight	Lb	0.22kg
Transducer's suspension Qms	Qms	11
Transducer's suspension Qts	Qts	0.49
Motor strength	Bl	4.27
Centering device	Cd	N-14055
Suspension cone	Sc	NBR60°
Resonance frequency	Fs	145Hz
Frequency response	Fr	145HZ-20KHz
Efficiency 1 W / 1 m	SPL	86dB
Power rating/Hi-pass 1500hz	RMS max	30W

Dimensions

All dimensions noted in mm



Recommended Frequency Cut: high pass up to 1kh
The cuts and slopes refer to these data according to the applied power and the position of the speaker, so we can not set a reliable standard.

Radiation mass load	Mms	2.71g
Force exerted suspension	Cms	0.38 mN
Volume air compressed	Vas	0.26l
Surface area cone	Sd	26.76cmq
Maximum Linear Excursion	Xmax	1.5mm

I prodotti STEG (www.gt-trading.it) sono costruiti e distribuiti da G.T. Trading di Siliato Salvatore, Via Guazzi N°5/C - Tavernelle di Serrungarina 61035 (PU), tel. +39 0721 715289, fax +39 0721 715289, Web www.gt-trading.it email : info@gt-trading.it

GT trading